

IMO Three-hole single-lever bath mixer for bath rim or tile edge installation - Chrome

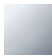





IMO

27 412 670



- 224mm projection
- spout: cascade
- max. flow 19.2 l/min at 3 bar flow pressure
- Hand shower: COMPACT RAIN, max. flow rate 6.8 l/min (at 3 bar)
- complete hand shower set with anti-scale system
- automatic bath/shower diverter
- height of mixer 110 mm
- height up to aerator 138 mm
- hole diameter spout 32 mm
- single-lever mixer hole diameter 35 mm
- hole diameter for complete hand shower set 32 mm
- rosette for mixer 60 x 60mm
- rosette for spout 60 x 60mm
- rosette for complete hand shower set 60 x 60mm
- metal shower hose 2250mm with integrated anti-twist protection

Intrinsic protection against back flow.

	Chrome	27 412 670-00 0050
	Brushed Platinum	27 412 670-06 0050
	Dark Chrome	27 412 670-19 0050
	Brushed Light Gold	27 412 670-27 0050
	Matte Black	27 412 670-33 0050
	Brushed Chrome	27 412 670-93 0050

Recommended miscellaneous



Perfecto installation kit - 12 614 970 90

Recommended miscellaneous

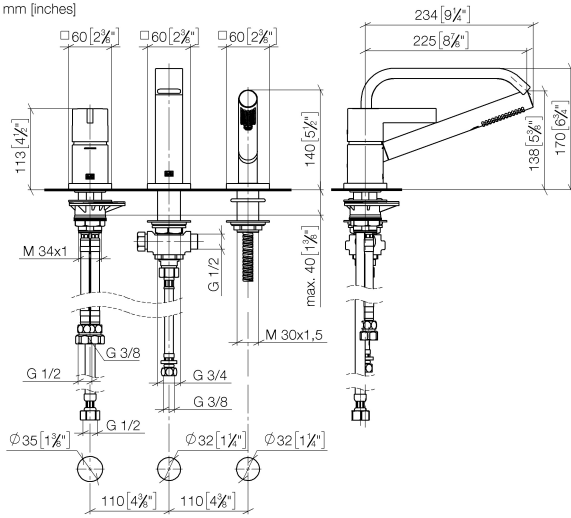


Decorative caps for Perfecto - Chrome 12 801 970-00
• 1 pair

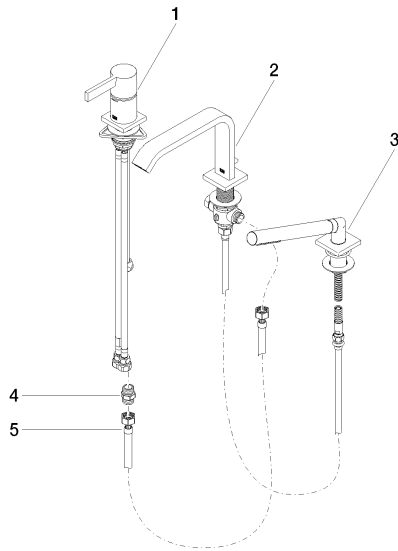
IMO Three-hole single-lever bath mixer for bath rim or tile edge installation - Chrome

IMO

27 412 670
mm [inches]



27 412 670



Spare parts list

No.	Item Number	Name	Quantity used	Delivery time
1	29 300 670-00	Single-lever bath mixer for bath rim or tile edge installation - Chrome	1	10
2	13 512 670-00	spout	1	60
3	27 702 980-00 0050	Hand shower set for bath rim or tile edge installation - Chrome	1	10
4	90 24 03 168 00 90	nipple	1	2
5	12 502 970 90	High pressure hose 1/2" x 1/2" x 400 mm -	1	2